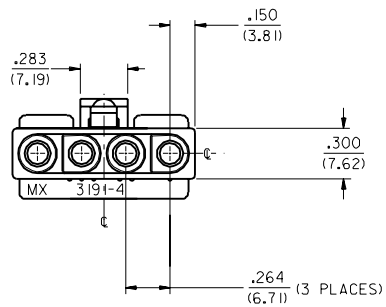


RECEPTACLE



EC NO. UCR1998-0254 DRAWN BY J.WANG 0006007 CHK'D BY B.WIRKUS 0006007 APPR'D BY R.EDGE 0006007	QUALITY SYMBOLS MAJOR $\blacktriangledown=0$ CRITICAL $\nabla=0$	GENERAL TOLERANCES: (UNLESS SPECIFIED)		SCALE 2 : 1	DESIGN UNITS <input type="checkbox"/> mm <input checked="" type="checkbox"/> INCH	DIMENSIONS: <input type="checkbox"/> mm <input checked="" type="checkbox"/> INCH <input type="checkbox"/> mm ONLY	SHT	REV	
		4 PLACES ± 0.00 ± 0.010	3 PLACES ± 0.025 ± 0.015	2 PLACES ± 0.038 ± 0.015	1 PLACE ± 0.038 ± 0.015	ANGULAR: $\pm 1^\circ$	DRAWN BY & DATE J.WANG 98/08/24	CHECKED BY & DATE B.WIRKUS 98/08/24	APPROVED BY & DATE R.EDGE 98/08/24
J3	DESCRIPTION	DRAFT WHERE APPLICABLE MUST REMAIN WITHIN DIMENSIONS			CAD FILENAME S3191402.DGN	MATERIAL NO. SEE SHT.3	DRAWING NO. SD -3191 -4*	SHEET NO. 2	SIZE C
THIS DRAWING CONTAINS INFORMATION THAT IS PROPRIETARY TO MOLEX INCORPORATED AND SHOULD NOT BE USED WITHOUT WRITTEN PERMISSION.									

13 12 11 10 9 8 7 6 5 4 3 2 3191

PLUG	
PART NO.	ENG. NO.
19-09-2048	3191-4P
19-09-2049	3191-4P1
19-09-2047	3191-4P-A
19-09-2046	3191-4P1-A

RECEPTACLE	
PART NO.	ENG. NO.
19-09-1049	3191-4R1
19-09-1046	3191-4R1-A

LEGEND

3191-4*****

CIRCUIT SIZE →

P = PLUG
R = RECEPTACLE

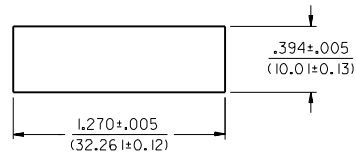
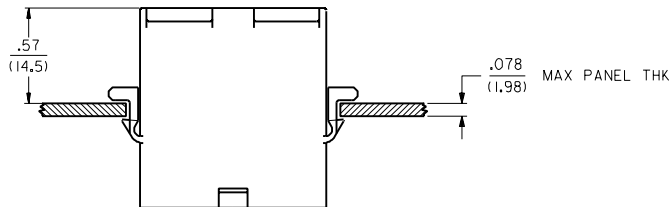
EARS: BLANK = WITH PREBENT EARS (PLUG ONLY)
I = WITHOUT EARS

COLOR: BLANK = NATURAL COLOR

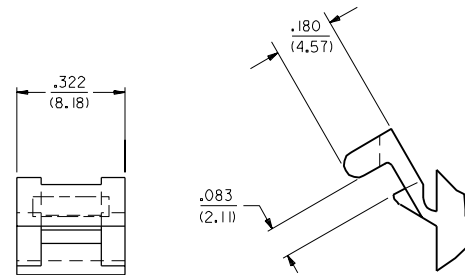
AM=AMBER BK=BLACK BU=BLUE
BN=BROWN GY=GRAY GN=GREEN
OR=ORANGE RD=RED YW=YELLOW

COLORS AVAILABLE ONLY IN 94V-2 MATERIAL

MATERIAL: BLANK=NYLON TYPE 6/6, 94V-2 COLOR:NATURAL
A=NYLON TYPE 6/6, 94V-0 COLOR:WHITE



RECOMMENDED HOLE CUTOUT



DETAIL "A"
.093/(2.36) PREBENT MOUNTING EAR
(SCALE 4:1)

J
I
H
G
F
E
D
C
B
A

J
I
H
G
F
E
D
C
B
A

EC NO. UCR1998-0254 DRAWN BY J.WANG 000607 CHKD BY B.WIRKUS 000607 APPRD BY R.EDGLEY 000607	QUALITY SYMBOLS MAJOR = 0 CRITICAL = 0	GENERAL TOLERANCES: (UNLESS SPECIFIED)		SCALE 2 : 1	DESIGN UNITS <input type="checkbox"/> mm <input checked="" type="checkbox"/> INCH	THIRD ANGLE PROJECTION	DIMENSIONS: <input type="checkbox"/> mm <input checked="" type="checkbox"/> INCH <input type="checkbox"/> mm ONLY	SHT	REV
		4 PLACES ±0.--- ±.--- 3 PLACES ±0.--- ±.010 2 PLACES ±0.25 ±.015 1 PLACE ±0.38 ±.---	mm	INCH	DRAWN BY & DATE J.WANG 98/08/18	CHECKED BY & DATE B.WIRKUS 98/08/18	TITLE: .093/(2.36) HOUSINGS PLUG AND RECEPTACLE 4-CKTS, .264/(6.70) CTRS		
J3	DESCRIPTION	ANGULAR: ± 1 °		CAD FILENAME S3191403.DGN	MATERIAL NO. SEE SHT.3	DRAWING NO. SD -3191-4*	SHEET NO. 3	REVISE ON CAD ONLY	
		DRAFT WHERE APPLICABLE MUST REMAIN WITHIN DIMENSIONS		THIS DRAWING CONTAINS INFORMATION THAT IS PROPRIETARY TO MOLEX INCORPORATED AND SHOULD NOT BE USED WITHOUT WRITTEN PERMISSION.		MOLEX INCORPORATED		SIZE C	

LBORD.DGN REV A 96/06/12 LEVEL 5 12 11 10 9 8 7 6 5 4 3 2 1